

## Pneumatic Vacuum Switch - BCSP100P

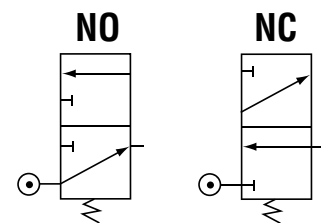
The PSE 100 P series vacuum switch with pneumatic output allows the vacuum level in the system to be checked by means of a patented system. This vacuum switch exists in two versions: NO version recommended for the «air saving» function on a venturi and NC version for the «safety» function (object detected, etc.) and “SFC signal”



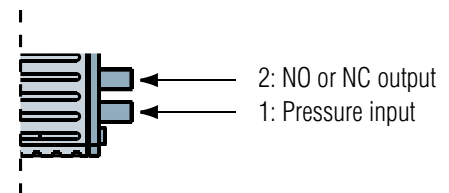
### Spécifications

Models	Two versions: NO and NC
Compatible fluids	All non-corrosive gases
Pressure	2 to 6 bar
Adjustment range	-300 mb to -850 mb
Precision	3%
Hysteresis	80 to 100 mb
Repetitivity	< 3% of the whole range
Maximum speed	30 cycles per minute
Permissible overpressure	2 bar (destructive at 5 bar)
Mechanical endurance	5 x 10 <sup>6</sup> operations
Materials	Body: Polyacetal Vacuum sensor: nitrile membrane
Weight	32 g
Temperature	-10 °C to 80 °C / 14 °F to 176 °F
Flow rate at 6 bar	70 NI/min

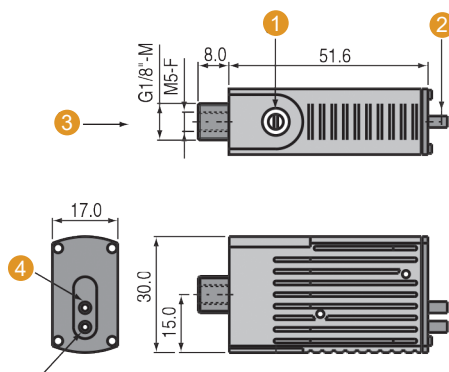
### Models



### Pneumatic connection



### Encombremments (en mm)



- 1 Vacuum threshold - Adjustment screw
- 2 Hollow shaft for tube, inside Ø 2.7 mm
- 3 Vacuum
- 4 NO or NC output
- 5 Pressure input

Kit available  
on demand

### Pneumatic Energy Saving kit

This kit is intended to monitor the consumption of compressed air on the BCVIP4, BCVIP8, BCVIP12 and BCVILP16 multistage ejectors.

#### This kit includes :

- 1/4 banjo fitting
- pneumatic pressure switch N.O. (BCSP100NO\_ES) or N.C. (BCSP100NC\_ES)



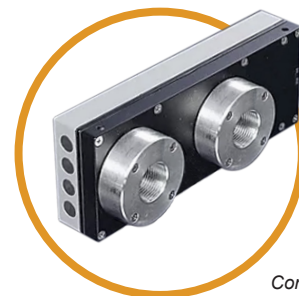
BCCP100E\_ES



Compatible with  
BCVIP4  
et BCVIP8



Compatible with  
BCVIP12



Compatible with  
BCVILP16