

Electric Vacuum Switch - BCSP100E

The PSE100E series vacuum switch with electric output allows the vacuum level in the system to be checked by means of a patented system.

- It is adapted to all electrical automated systems.
- The choice between the N.O. or N.C. function is made during wiring.



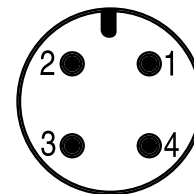
BCSP100E

Spécifications

Compatible fluids	All non-corrosive gases
Switching power	250 V - 5 A with cable 125 V - 3 A with M12 connector
Electrical connection	M12 female connector or 3 wire PVC cable, length 2 m
Adjustment range	-300 mb to -850 mb
Precision	3%
Hysteresis	125 mb
Repetitivity	< 3% of the whole range
Maximum speed	30 cycles per minute
Permissible overpressure	2 bar (destructive at 5 bar)
Mechanical endurance	5 x 10 ⁶ operations
Materials	Body: Polyacetal Vacuum sensor: nitrile membrane
Protection	IP 54 with hollow shaft connected IP 40 without this fitting
Weight	165 g
Temperature	-10 °C to 80 °C / 14 °F to 176 °F

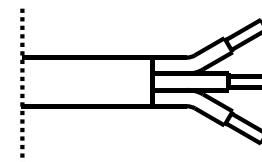
Electrical Connection

M12 connector



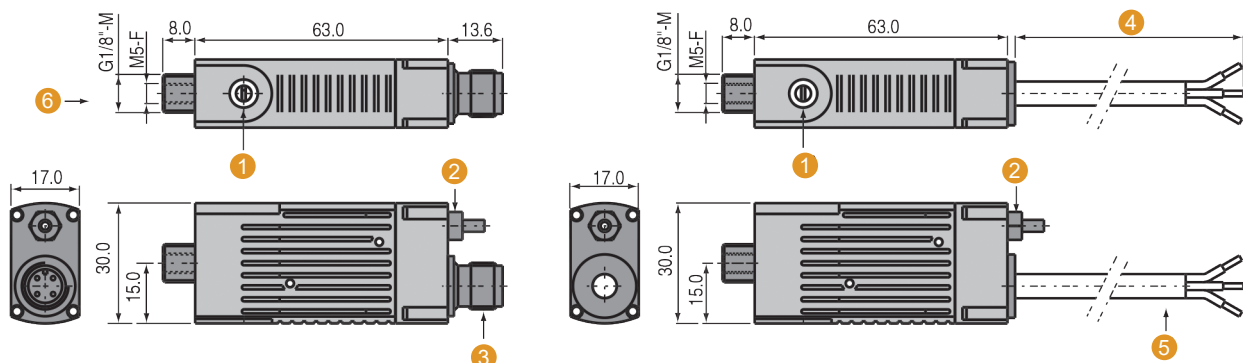
- 1 : Common
- 2 : NO Contact
- 3 : -
- 4 : NC Contact

PVC cable (length 2m)



- Brown: Common
- White: NO Contact
- Black: NC Contact

Dimensions (mm)



- 1 Adjustment screw
- 2 Atmospheric pressure hollow shaft fitting for tube, inside Ø 2.7mm
- 3 M12 male connector
- 4 Approx. 2 meters
- 5 Cable, 3 conductors
- 6 Vacuum

Kit available
on demand

Electrical Energy Saving kit

This kit is intended to monitor the consumption of compressed air on the BCVIP4, BCVIP8, BCVIP12 and BCVILP16 multistage ejectors.

This kit includes :

- 1/4 banjo fitting
- BCSP100E electric pressure switch
- 1/4 " - 24 VDC solenoid valve



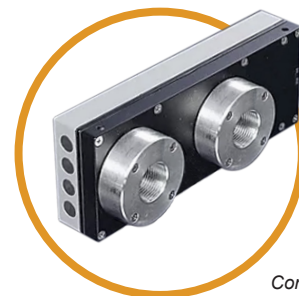
BCCP100E_ES



Compatible with
BCVIP4
et BCVIP8



Compatible with
BCVIP12



Compatible with
BCVILP16