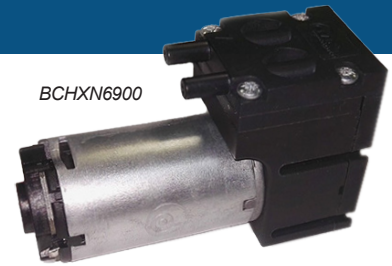


Air & Gas diaphragm vacuum pumps - BCHXN6900

Diaphragm pump for air/gas, DC supply, with electric actuator.
The pump head is equipped with a 400 micron filter.

Applications : Sampling and pressurization

BCHXN6900



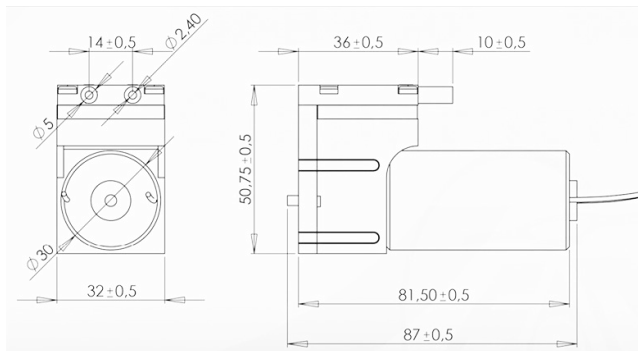
Characteristics

Max vacuum (mbar)	Free air flow (L/min)	Max pressure (Bar)	Start Up Vacuum (mbar)	Dimensions (mm)			Leadwire Length (mm)	Weight (Gr)
				L	W	H		
-826	4	1	-826	87	32	50,75	300	180

Electrical Data

Motor type	Rated Voltage	Max consumption	IP protection	Insulation class	Motor life expectancy
		(Amps)			
Direct Current	15V dc	0,60 A	IP 20	E	3.000h (depending on application)
	30V dc	0,37 A			

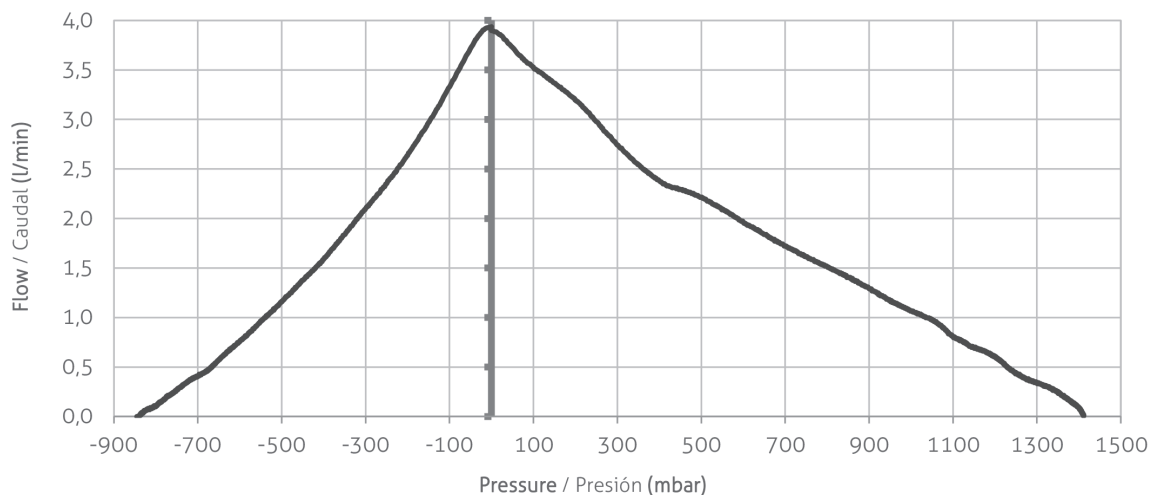
Vacuum pumps dimensions



Standard head configuration

Available	Head materials
Head Pump	PPS
Diaphragm	EPDM / FPM
Valves	EPDM / FPM
O-Rings	EPDM

Flow vs Vacuum & Pressure Curve

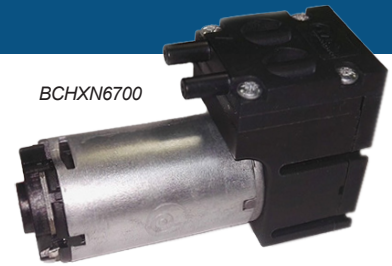


Liquid diaphragm vacuum pumps - BCHXN6700

Diaphragm pump for liquid, DC supply, with electric actuator.
The pump head is equipped with a 400 micron filter.

Applications : Sampling and pressurization

BCHXN6700



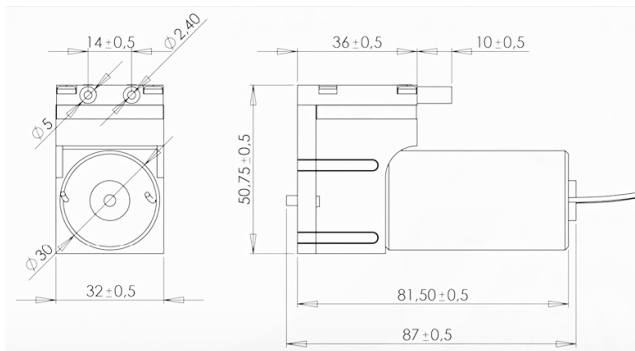
Characteristics

Free H2O Flow (ml/min)	Maximum Pressure (mH2o)	Maximum vacuum (mBar)	Dimensions (mm)			Leadwire Length (mm)	Weight (Gr)
			L	W	H		
300	12	-225	87	32	50,75	300	180

Electrical Data

Motor type	Rated Voltage	Max consumption	IP protection	Insulation class	Motor life expectancy
		(Amps)			
Direct Current	15V dc	0,20 A	IP 20	E	3.000h (depending on application)
	30V dc	0,10 A			

Vacuum pumps dimensions



Standard head configuration

Available	Head materials
Head Pump	PPS
Diaphragm	EPDM / FPM
Valves	EPDM / FPM
O-Rings	EPDM

Flow vs Pressure Curve

