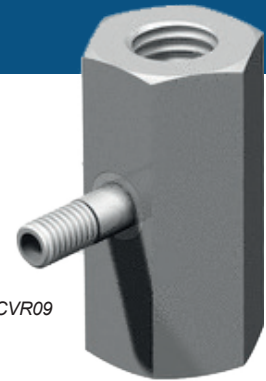


## Heavy-duty In-line Ejectors

The main advantage of the VR series in-line ejectors is that they can be mounted directly on the suction cup, which simplifies plumbing. By integrating the ejector on the suction cup, we obtain a localized vacuum and, therefore, the possibility of obtaining multiple independent grips, even in the absence of objects.

It is also possible to supply vacuum to two or more suction cups using a G1/4" T-shaped fitting.



BCVR05,  
BCVR07 et BCVR09

## Advantages

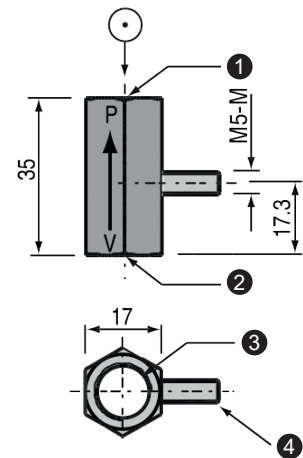
- Wide range
- Adaptable to all industries
- Lightweight and compact
- Reduced gripping time
- Direct installation on suction cups
- Excellent mechanical resistance
- Blow-off option
- Extended range of suction flow rates
- No clogging

## Specifications

- **Supply** : Non-lubricated filtered air, pressure 2 to 6 bar
- **Optimum operating pressure** : 5 bar
- **Material** : 2017A - Cu Zn
- **Temperature** : 0 to 80 °C

## Dimensions (mm)

- 1 G1/4"-F C.A. inlet, depth 10 mm
- 2 G1/4"-F vacuum outlet, depth 10 mm
- 3 Compressed air
- 4 Exhaust



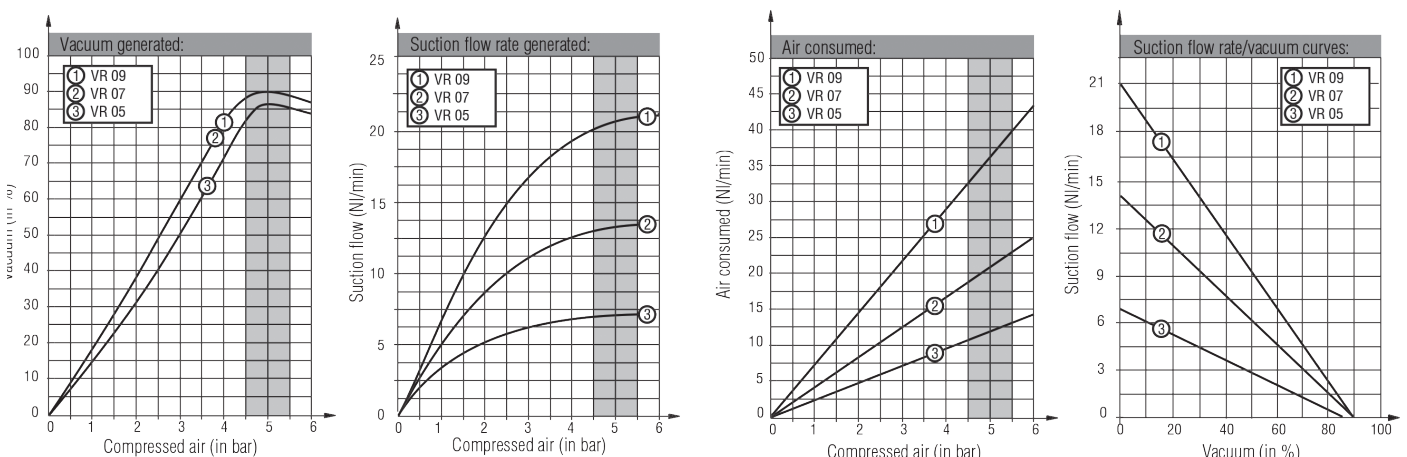
## Characteristics

Model	Ø Nozzle	Vacuum outlet	Air consumed	Max vacuum	Air drawn in	Weight
	(mm)		(NI/min)	(%)	(NI/min)	
BCVR05F14	0,5	G1/4" Female	12	87	7	20
BCVR07F14	0,7		21	90	14	
BCVR09F14	0,9		36		21	

## Evacuation Time in Seconds per Liter

% vacuum	10%	20%	30%	40%	50%	60%	70%	80%	85%
BCVR05F14	0,92	1,96	3,18	4,63	6,38	8,79	12,17	18,96	27,39
BCVR07F14	0,46	0,98	1,58	2,28	3,13	4,27	5,8	8,55	11,01
BCVR09F14	0,31	0,65	1,05	1,52	2,09	2,85	3,87	5,7	7,34

## Data Curves





## Ejector Fittings

Based on the same principle as the VR 05, 07, 09, the main advantage of the VR 10, 12, 14 series is that they can be mounted directly on larger suction cups due their optimum technical characteristics.

The aluminum design guarantees:

- Excellent mechanical resistance
- Lightweight
- Ideal for miscellaneous gripping.

## Advantages

- Wide range
- Adaptable to all industries
- Lightweight and compact
- Reduced gripping time
- Direct installation on suction cups
- Excellent mechanical resistance
- Blow-off option
- Extended range of suction flow rates
- No clogging

## Specifications

- **Supply** : Non-lubricated filtered air, pressure 2 to 6 bar
- **Optimum operating pressure** : 5 bar
- **Material** : 2017A - Cu Zn
- **Temperature** : 0 to 80 °C

## Characteristics

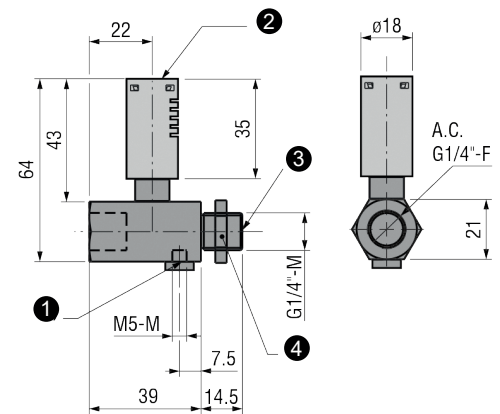
Model	Ø Nozzle	Vacuum outlet	Air consumed (Nl/min)	Max vacuum (%)	Air drawn in (Nl/min)	Weight (Gr)
	(mm)					
BCVR10M14	1	G1/4" Male	44	90	27	50

## Evacuation Time in Seconds per Liter

% vacuum	10%	20%	30%	40%	50%	60%	70%	80%	85%
BCVR10M14	0,24	0,51	0,82	1,18	1,62	2,21	3,01	4,43	5,71

## Encadrements (en mm)

- 1 Blow-off or vacuum switch
- 2 Silencer
- 3 Vacuum
- 4 Hexagonal nut, 19 across flats



## Data Curves

