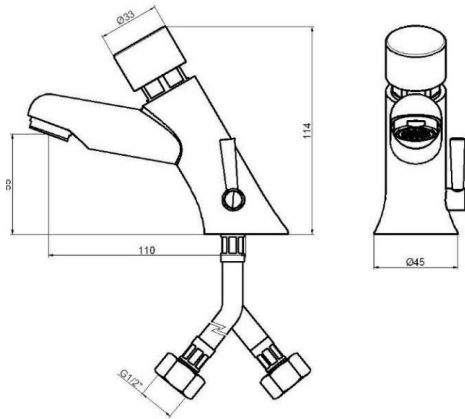


Basin mounted self-closing push button mixer

Characteristics



Modèle BS08212



COMPOSITION :

- Chromed brass tap
- Flexible hoses G1/2"
- Non-return valves

OPERATING CHARACTERISTICS :

- **Flow rate:** 6 l/min (w/flow regulator)
- **Operating pressure:** Min 1 – max 6 bar
- **Recommended pressure:** 2 – 4 bar
- **Water inlet temperature:** 5 – 65 °C
- **Flow time:** 15 sec. at 3 bar (tolerance as stated in EN 816: 15 ± 5 sec.)

Advantages

Sanitary fittings for public and commercial places: water savings, hygiene, comfort and design.

Sustainability

- Automatic shut-off systems
- Flow rate control system.

Hygiene

- No manual contact after the tap shuts off is required. This prevents the spread of germs by hands.
- Easy cleaning. The ergonomic design and the smooth surface, without breaks or gaps, allow cleaning the surfaces in a simple and effective way, preventing bacteria.

Safety and prevention

- Anti-scalding safety system, which reduces and maintains the temperature of the water, ensuring safety without supervision
- Vandal-resistant controls, preventing misuse, unwanted removal, willful damage

Resistance and reliability

- Suitable for intensive use.
- Comfort and easy use
- Our products are easy to install and they need minimal adjustments. The spare parts are standardized to assure a quick and easy replacement.

Italian design

- Modern, simple, ergonomic design