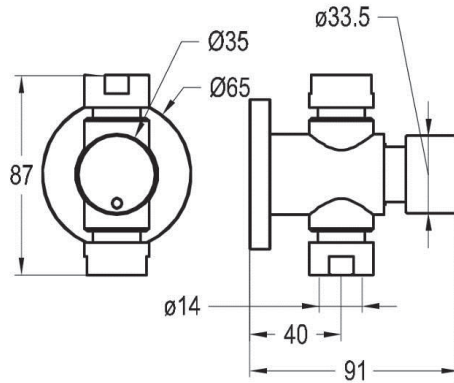


Stainless steel wall mounted self-closing push button tap for shower

Characteristics



COMPOSITION :

- AISI 316 stainless steel brushed finishing body
- Push button control

OPERATING CHARACTERISTICS

- **Flow rate** 8 l/min
- **Operating pressure** : Min 1 - max 6 bar
- **Recommended pressure** : 2 - 4 bar
- **Water inlet temperature** : 5 - 65 °C
- **Flow time** : 15 sec. - 3 bar, not adjustable (tolerance: 15 ± 5 sec.)

Advantages

Sanitary fittings for public and commercial places: water savings, hygiene, comfort and design.

Sustainability

- Automatic shut-off systems
- Flow rate control system.

Hygiene

- No manual contact after the tap shuts off is required. This prevents the spread of germs by hands.
- Easy cleaning. The ergonomic design and the smooth surface, without breaks or gaps, allow cleaning the surfaces in a simple and effective way, preventing bacteria.
- Anti-bacteria system. Automatic anti-legionella rinsing system: every 24 after the last use, an automatic flush activates for 7 seconds, preventing water stagnation that can cause the development of legionella

Safety and prevention

- Anti-scalding safety system, which reduces and maintains the temperature of the water, ensuring safety without supervision
- Vandal-resistant controls, preventing misuse, unwanted removal, willful damage

Resistance and reliability

- Suitable for intensive use.

Comfort and easy use

- Our products are easy to install and they need minimal adjustments. The spare parts are standardized to assure a quick and easy replacement.

Italian design

- Modern, simple, ergonomic design