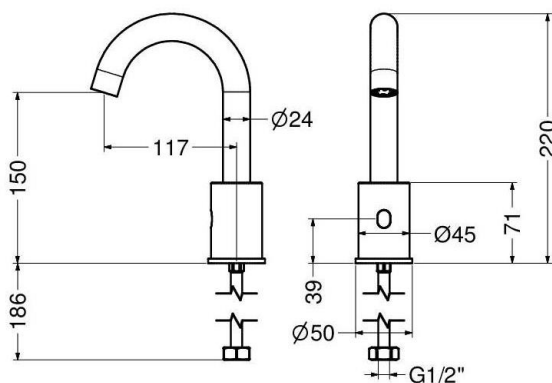


Electronic basin tap, operated by infrared sensor, powered by batteries

Characteristics



BS02503/1



COMPOSITION :

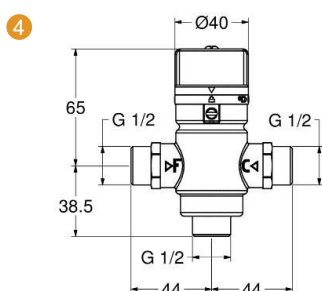
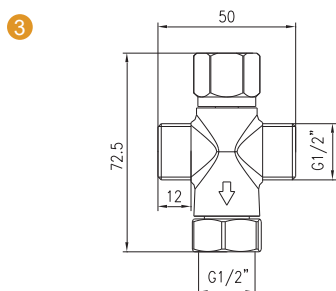
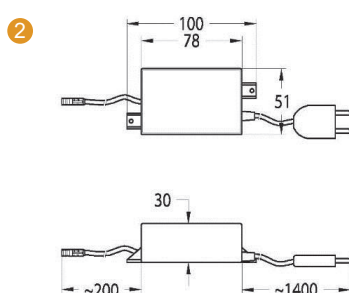
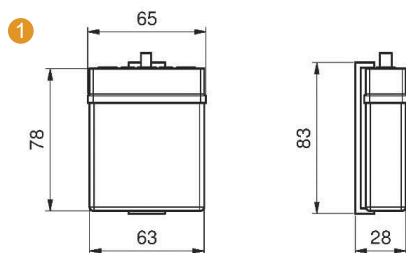
- Chromed brass body with infra-red sensor
- Bi-stable solenoid valve G1/2" (external)
- 4 alkaline batteries with water proof housing (external)

OPERATING CHARACTERISTICS

- **Operating pressure** : Min 1 - max 8 bar
- **Water inlet temperature** : 5 - 70 °C

- 1 **Power supply** : 4 alkaline batteries (included)

- **Battery life cycles** : 150.000 cycles
- **Activation** : Infra-red sensor with presence detection function
- **Self-opening** : Every 24 hours since the last activation
- **Vandal proof safety** : Self-closing after 60 seconds of continuous flow
- **Low battery safety** : Low battery led indicator: in case of exhausted battery the mixer is kept closed



OTHER VERSIONS

- 2 **BS02503/1R** : Main powered 230V
- 3 **BS02503/1PM** : BC02511 With pre-mechanical mixer
- 4 **BS02503/1PT** : BC02511 With pre-thermostatic mixer
- 2 3 **BS02503/1RPM** : Main powered 230 V and with pre-mechanical mixe
- 2 4 **BS02503/1RPT** : Main powered 230 V and pre-thermostatic mixer