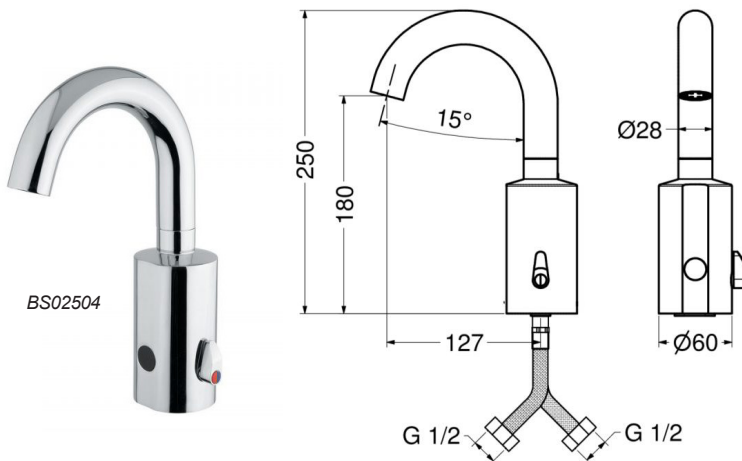


Electronic basin mixer with fixed spout and powered by battery

Characteristics



COMPOSITION :

- Chromed brass body
- Chromed brass fixed spout
- Bi-stable solenoid valve 6 V (internal)
- Infra-red sensor
- 6 V CRP2 lithium battery (internal)
- Stainless steel braided 1/2" flexible hoses and check valves

OPERATING CHARACTERISTICS

- **Flow rate** 6 l/min
- **Operating pressure** : Min 1 - max 8 bar
- **Water inlet temperature** : 5 - 70 °C

① **Power supply** : Lithium battery 6 V (included)

- **Battery life cycles** : 220.000 cycles
- **Activation** : Infra-red sensor with presence detection function
- **Self-opening** : Every 24 hours since the last activation
- **Vandal proof safety** : Self-closing after 60 seconds of continuous flow
- **Low battery safety** : Low battery led indicator: in case of exhausted battery the mixer is kept closed

OTHER VERSION

② **BS02504/R** : Main powered 230 V

