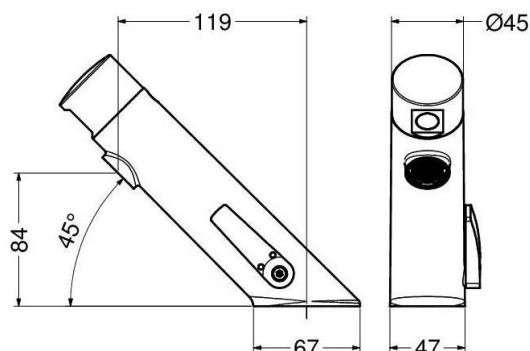


Electronic basin mixer, powered by battery

Characteristics



COMPOSITION :

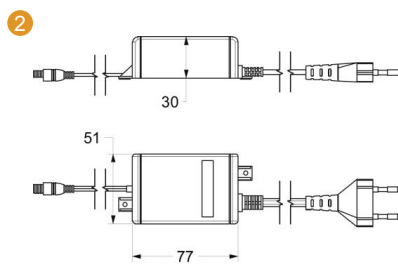
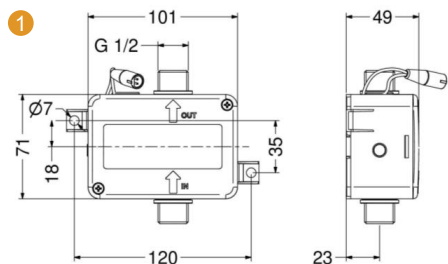
- Chromed brass body
- Infra-red sensor
- 6V lithium battery (CRP2)
- Bi-stable solenoid valve 6V

OPERATING CHARACTERISTICS

- **Flow rate** 6 l/min (w/flow regulator)
- **Operating pressure** : Min 1 - max 8 bar
- **Water inlet temperature** : 5 - 70 °C

1 **Power supply** : Lithium battery 6V (included)

- **Battery life cycles** : 220.000 cycles
- **Activation** : infra-red sensor with presence detection function
- **Self - opening** : Every 24 hours since the last activation
- **Vandal proof safety** : Self-closing after 60 seconds of continuous flow
- **Low battery safety** : Low battery led indicator: in case of exhausted battery the mixer is kept closed
- **Solenoid Valve** : Solenoid valve in external box 1/2" male



OTHER VERSION

2 **BS545.12/R** : Main powered 230V