

Bimetallic thermostat for fire detector

The Vigitherme is a bimetallic thermostat that is used in industry to limit the temperature of equipment by stopping machines if they overheat or by triggering a fan to cool the installations.

The M16-FRM produces a signal (closing a circuit) when the selected temperature increases, up to 180 ° C. The sensor should be attached close to the point of risk (on average 10 to 15 cm and perpendicular), then giving the best chance of obtaining rapid action (10 to 30 sec). The Vigitherme M16 is quite simply efficient, reliable, easy to install and economical.

To ensure both insulation and perfect sealing, the Vigitherme thermostat is molded from a two-component epoxy resin. They are waterproof IP 68.



Characteristics

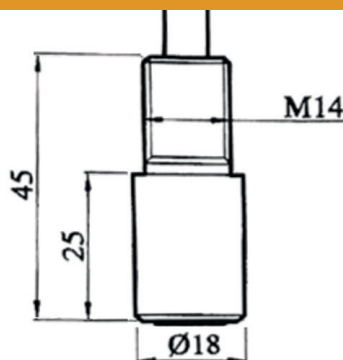
- **Temperature range** : -40° to +180°
- **Current rating** : 6 A
- **Voltage rating** : 250 V
- **Types of contacts** : opening - closing
- **Composition of contacts** : solid silver
- **Voltage proof between terminations and ground** : 4 000 V
- **Contact resistance** : 10 m Ohm
- **Connection** : terminal for 2.8 mm clips - can also be soldered
- **Maximum operating Temperature** : + 200°
- **Waterproof** : IP68
- **Cable** : silicon, without halogenous, according to standards IED 60332-1 and IEC 60331-21
- **Length of the cable** : on request
- **Approvals** : NFC 93450 and UL 873

Ref. BSM16-FRM-A2

The A2 moulding enables heat control for fluids and can be fixed through a wall.

Dimensions

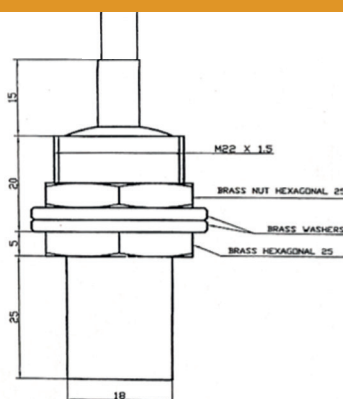
- **Total height** : 40 mm.
- **Diameter** : 18 mm
- **Thread diameter** : 14 mm



Ref. BSM16-FRM-A2/M

Dimensions

- **Head diameter** : 22 mm
- **Head thread** : 20 mm
- **Cylinder diameter** : 18 mm
- **Cylinder height** : 30 mm



Bimetallic thermostat for fire detector

The Vigitherme is a bimetallic thermostat that is used in industry to limit the temperature of equipment by stopping machines if they overheat or by triggering a fan to cool the installations.

The M16-FRM produces a signal (closing a circuit) when the selected temperature increases, up to 180 ° C. The sensor should be attached close to the point of risk (on average 10 to 15 cm and perpendicular), then giving the best chance of obtaining rapid action (10 to 30 sec). The Vigitherme M16 is quite simply efficient, reliable, easy to install and economical.

To ensure both insulation and perfect sealing, the Vigitherme thermostat is molded from a two-component epoxy resin. They are waterproof IP 68.



Characteristics

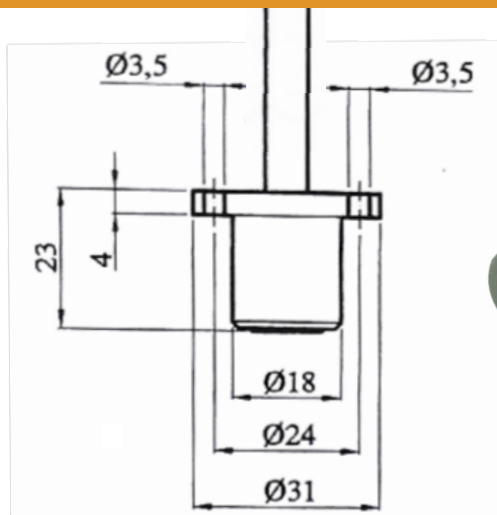
- **Temperature range** : -40° to +180°
- **Current rating** : 6 A
- **Voltage rating** : 250 V
- **Types of contacts** : opening - closing
- **Composition of contacts** : solid silver
- **Voltage proof between terminations and ground** : 4 000 V
- **Contact resistance** : 10 m Ohm
- **Connection** : terminal for 2.8 mm clips - can also be soldered
- **Maximum operating Temperature** : + 200°
- **Waterproof** : IP68
- **Cable** : silicon, without halogenous, according to standards IED 60332-1 and IEC 60331-21
- **Length of the cable** : on request
- **Approvals** : NFC 93450 and UL 873

Ref. BSM16-FRM-A3

The A3 enables ambient heat control inside an enclosure and can be directly wall-mounted.

Dimensions

- **Total height** : 23 mm.
- **Diameter** : 18 mm
- **Fixing holes centre distance** : 24 mm



Bimetallic thermostat for fire detector

The Vigitherme is a bimetallic thermostat that is used in industry to limit the temperature of equipment by stopping machines if they overheat or by triggering a fan to cool the installations.

The M16-FRM produces a signal (closing a circuit) when the selected temperature increases, up to 180 ° C. The sensor should be attached close to the point of risk (on average 10 to 15 cm and perpendicular), then giving the best chance of obtaining rapid action (10 to 30 sec). The Vigitherme M16 is quite simply efficient, reliable, easy to install and economical.

To ensure both insulation and perfect sealing, the Vigitherme thermostat is molded from a two-component epoxy resin. They are waterproof IP 68.



Characteristics

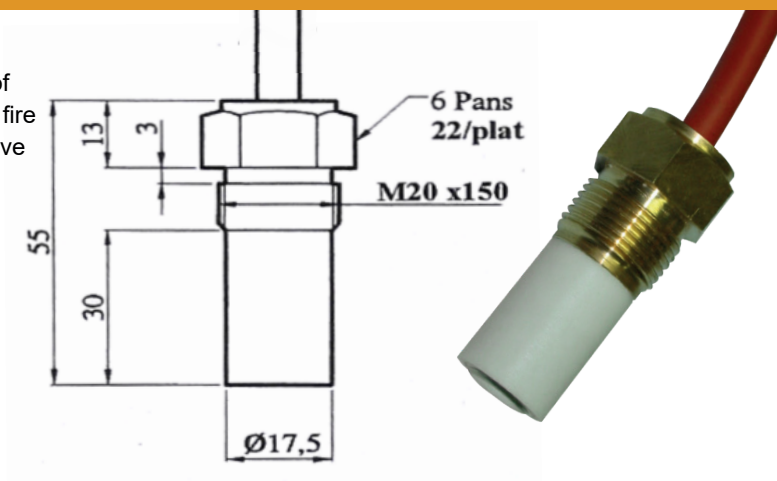
- **Temperature range** : -40° to +180°
- **Current rating** : 6 A
- **Voltage rating** : 250 V
- **Types of contacts** : opening - closing
- **Composition of contacts** : solid silver
- **Voltage proof between terminations and ground** : 4 000 V
- **Contact resistance** : 10 m Ohm
- **Connection** : terminal for 2.8 mm clips - can also be soldered
- **Maximum operating Temperature** : + 200°
- **Waterproof** : IP68
- **Cable** : silicon, without halogenous, according to standards IED 60332-1 and IEC 60331-21
- **Length of the cable** : on request
- **Approvals** : NFC 93450 and UL 873

Ref. BSM16-FRM-A5

The A5 moulding is designed for the monitoring of the temperature of an oil casing or for using as a fire detector. It consists of a brass head and a sensitive part at the other end of a PTFE cylinder.

Dimensions

- **Head diameter** : 22 mm
- **Head thread** : 20 mm
- **Cylinder diameter** : 18 mm
- **Cylinder height** : 30 mm



Bimetallic thermostat for fire detector

The Vigitherme is a bimetallic thermostat that is used in industry to limit the temperature of equipment by stopping machines if they overheat or by triggering a fan to cool the installations.

The M16-FRM produces a signal (closing a circuit) when the selected temperature increases, up to 180 ° C. The sensor should be attached close to the point of risk (on average 10 to 15 cm and perpendicular), then giving the best chance of obtaining rapid action (10 to 30 sec). The Vigitherme M16 is quite simply efficient, reliable, easy to install and economical.

To ensure both insulation and perfect sealing, the Vigitherme thermostat is molded from a two-component epoxy resin. They are waterproof IP 68.



Characteristics

- **Temperature range** : -40° to +180°
- **Current rating** : 6 A
- **Voltage rating** : 250 V
- **Types of contacts** : opening - closing
- **Composition of contacts** : solid silver
- **Voltage proof between terminations and ground** : 4 000 V
- **Contact resistance** : 10 m Ohm
- **Connection** : terminal for 2.8 mm clips - can also be soldered
- **Maximum operating Temperature** : + 200°
- **Waterproof** : IP68
- **Cable** : silicon, without halogenous, according to standards IED 60332-1 and IEC 60331-21
- **Length of the cable** : on request
- **Approvals** : NFC 93450 and UL 873

Ref. BSM16-FRM-A7

The M16 A7 fire detector is a sensor intended to provide a signal (opening or closing of a circuit) on a rise in temperature. A set of several sensors distributed around the diesel engine block and the battery provides the best response to European Directive R107 for coaches.

Dimensions

- **Head diameter** : 22 mm
- **Head thread** : 13 mm
- **Cylinder diameter** : 17,5 mm
- **Cylinder height** : 30 mm

