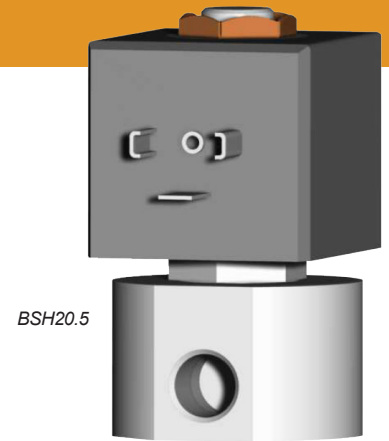


Solenoid valve 2/2 2 ways direct operated BSH20.5

- Media : air – water – light oil
- Pressure range : 10 to 500 bar max
- Media temperature : 100° C max
- Ambient temperature : -10° to +50° C max
- Media viscosity : 40 centistokes max
- Mounting : vertical position
- Weight (including coil) : 500 g
- Opening or closing time : 20 ms max
- Body material : stainless steel 316L



BSH20.5

Technical specifications

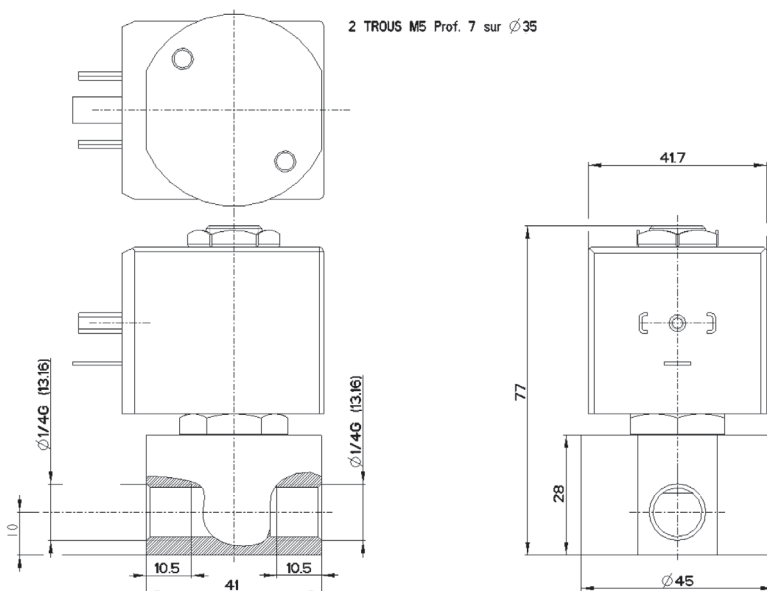
Ref	DN	Kv	Pressure	Function	Gasket	O'ring	Port
	(mm)	(L/min)	(bar)				
BSH20.5	0.5	0.15	10-500		Peek	NBR T°60C FKM T°100C EPDM T°100C Option PTFE T°180C	1/4G 1/8G 1/4NPT 1/8NPT

Voltage		Power	Protection	Insulation Class	Type
Vdc	12 24	18 watts	IP 65 with connector included	Classe F 155°C	For pilot Ø15mm
	Ac				

Option

- Manual override
- Position detector
- Temperature sensor fluid
- Pressure taking
- Latching
- ATEX II 2 G Ex e mb IIC T4, T6 Gb II 2D Ex tb mb IIIC T130 °C, T80 °C Db IP 65, IP 67

Dimensions



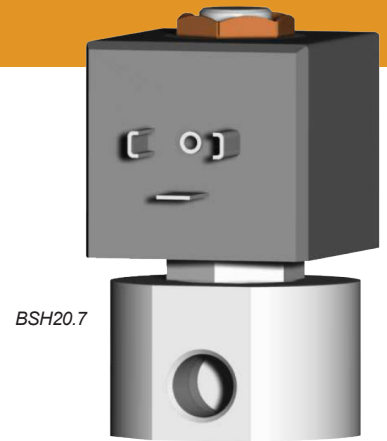
Maintenance kit

- Equipped plunger
- Piston gasket
- O'ring
- Spring



Solenoid valve 2/2 2 ways direct operated BSH20.7

- Media : air – water – light oil
- Pressure range : 10 to 300 bar max
- Media temperature : 100° C max
- Ambient temperature : -10° to +50° C max
- Media viscosity : 40 centistokes max
- Mounting : vertical position
- Weight (including coil) : 600 g
- Opening or closing time : 20 ms max
- Body material : stainless steel 316L



BSH20.7

Technical specifications

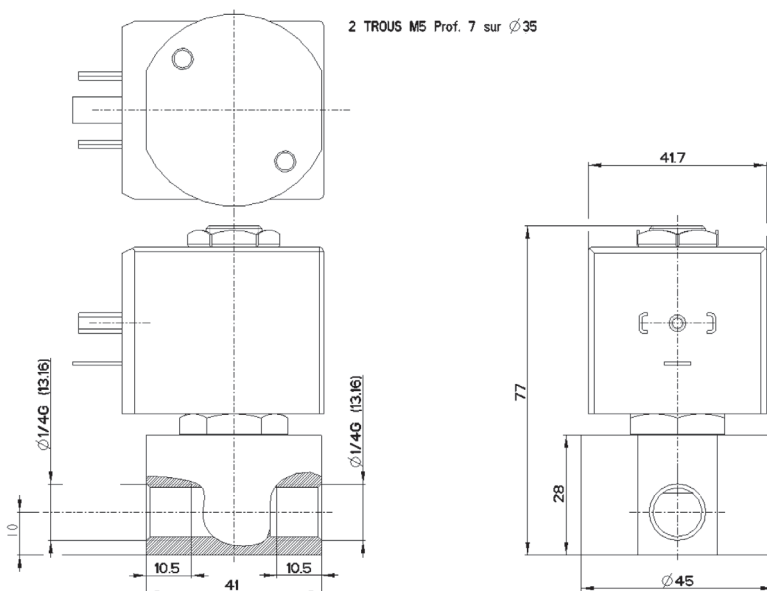
Ref	DN	Kv	Pressure	Function	Gasket	O'ring	Port
	(mm)	(L/min)	(bar)				
BSH20.7	0.7	0.17	10-300		Peek	NBR T°60C FKM T°100C EPDM T°100C Option PTFE T°180C	1/4G 1/8G 1/4NPT 1/8NPT

Voltage		Power	Protection	Insulation Class	Type
Vdc	12 24	18 watts	IP 65 with connector included	Classe F 155°C	For pilot Ø15mm
	Ac				

Option

- Manual override
- Position detector
- Temperature sensor fluid
- Pressure taking
- Latching
- ATEX II 2 G Ex e mb IIC T4, T6 Gb II 2D Ex tb mb IIIC T130 °C, T80 °C Db IP 65, IP 67

Dimensions



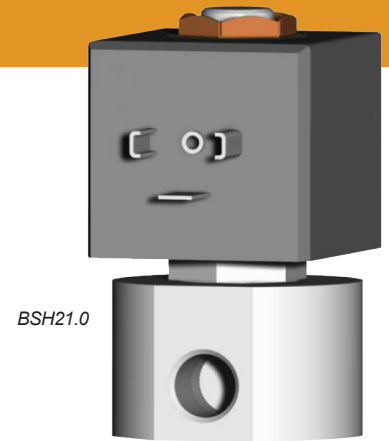
Maintenance kit

- Equipped plunger
- Piston gasket
- O'ring
- Spring



Solenoid valve 2/2 2 ways direct operated BSH21.0

- Media : air – water – light oil
- Pressure range : 10 to 200 bar max
- Media temperature : 100° C max
- Ambient temperature : -10° to +50° C max
- Media viscosity : 40 centistokes max
- Mounting : vertical position
- Weight (including coil) : 600 g
- Opening or closing time : 20 ms max
- Body material : stainless steel 316L



BSH21.0

Technical specifications

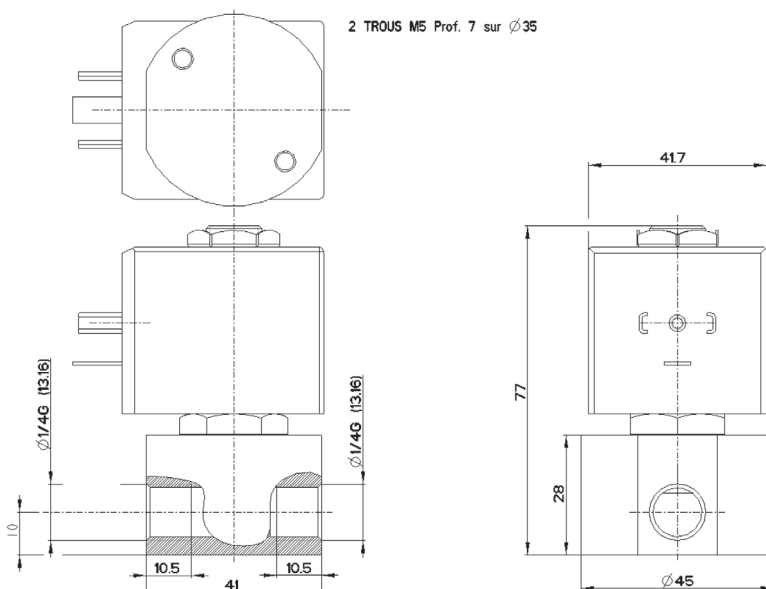
Ref	DN	Kv	Pressure	Function	Gasket	O'ring	Port
	(mm)	(L/min)	(bar)				
BSH21.0	1	0.5	10-200		PTFE	NBR T°60C FKM T°100C EPDM T°100C Option PTFE T°180C	1/4G 1/8G 1/4NPT 1/8NPT

Voltage		Power	Protection	Insulation Class	Type
Vdc	12	18 watts	IP 65 with connector included	Classe F 155°C	For pilot Ø15mm
	24				
Ac	24	Inrush 48Va holding 24Va	IP 65 with connector included	Classe F 155°C	For pilot Ø15mm
	110				
	230				

Option

- Manual override
- Position detector
- Temperature sensor fluid
- Pressure taking
- Latching
- ATEX II 2 G Ex e mb IIC T4, T6 Gb II 2D Ex tb mb IIIC T130 °C, T80 °C Db IP 65, IP 67

Dimensions



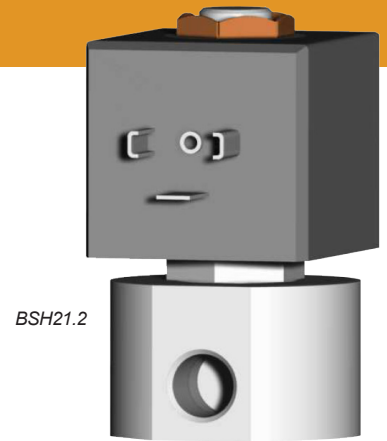
Maintenance kit

- Equipped plunger
- Piston gasket
- O'ring
- Spring



Solenoid valve 2/2 2 ways direct operated BSH21.2

- Media : air – water – light oil
- Pressure range : 0 to 100 bar max
- Media temperature : 100° C max
- Ambient temperature : -10° to +50° C max
- Media viscosity : 40 centistokes max
- Mounting : vertical position
- Weight (including coil) : 600 g
- Opening or closing time : 20 ms max
- Body material : stainless steel 316L



BSH21.2

Technical specifications

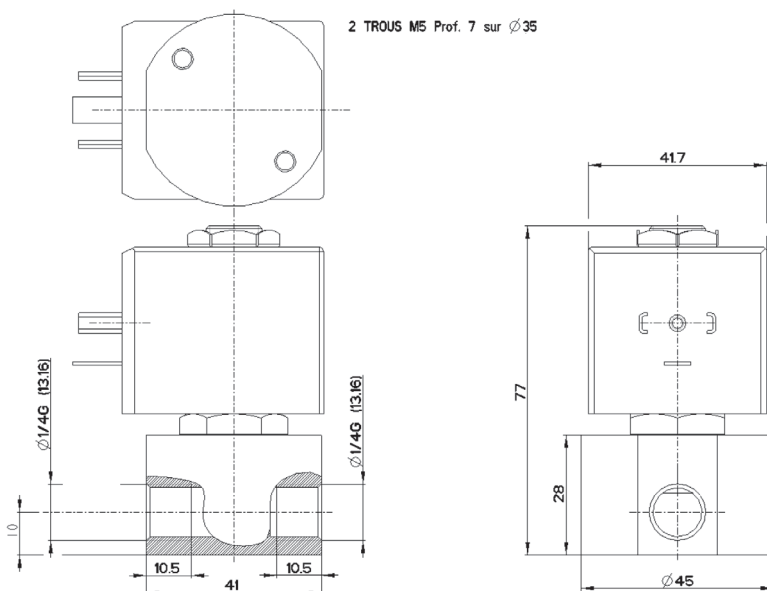
Ref	DN	Kv	Pressure	Function	Gasket	O'ring	Port
	(mm)	(L/min)	(bar)				
BSH21.2	1.2	0.67	0-100		PTFE	NBR T°60C FKM T°100C EPDM T°100C Option PTFE T°180C	1/4G 1/8G 1/4NPT 1/8NPT

Voltage		Power	Protection	Insulation Class	Type
Vdc	12	18 watts	IP 65 with connector included	Classe F 155°C	For pilot Ø15mm
	24				
Ac	24	Inrush 48Va holding 24Va	IP 65 with connector included	Classe F 155°C	For pilot Ø15mm
	110				
	230				

Option

- Manual override
- Position detector
- Temperature sensor fluid
- Pressure taking
- Latching
- ATEX II 2 G Ex e mb IIC T4, T6 Gb II 2D Ex tb mb IIIC T130 °C, T80 °C Db IP 65, IP 67

Dimensions



Maintenance kit

- Equipped plunger
- Piston gasket
- O'ring
- Spring



Solenoid valve 2/2 2 ways pressure assisted with piston BSHP206

- Media : air – water – light oil
- Pressure range : 10 to 300 bar max
- Media temperature : 100° C max
- Ambient temperature : -10° to +50° C max
- Media viscosity : 40 centistokes max
- Mounting : vertical position
- Weight (including coil) : 500 g
- Opening or closing time : 20 ms max
- Body material : stainless steel 316L



BSHP206

Technical specifications

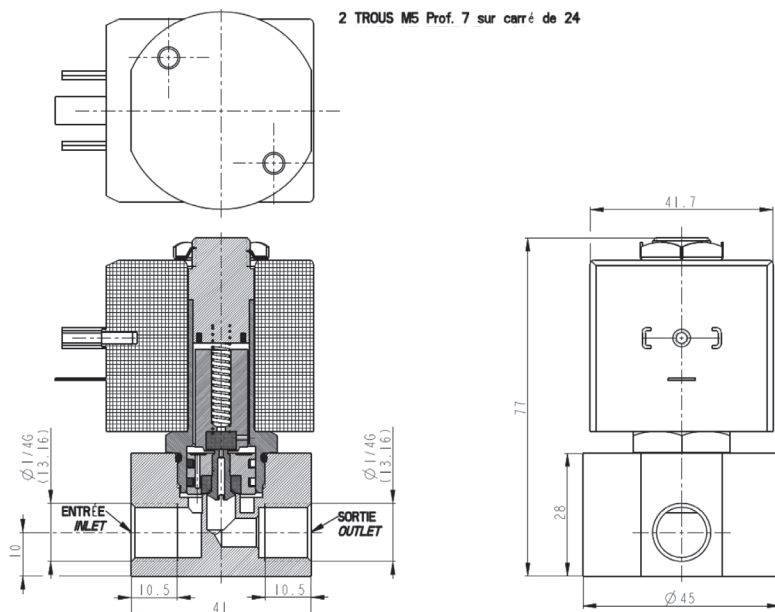
Ref	DN	Kv	Pressure	Media	Function	Gasket	O'ring	Port
	(mm)	(L/min)	(bar)					
BSHP2061G	6	5	1-100	Gas		PTFE	NBR T°60C FKM T°100C EPDM T°100C Option PTFE T°180C	1/4G 1/8G 1/4NPT 1/8NPT
BSHP2061L			1-100	Liquid				
BSHP2062G			1-200	Gas				
BSHP2062L			1-200	Liquid				
BSHP2063G			1-300	Gas				
BSHP2063L			1-300	Liquid				

Voltage		Power	Protection	Insulation Class	Type
Vdc	12 24	18 watts	IP 65 with connector included	Classe F 155°C	For pilot Ø15mm
	Ac				

Option

- Manual override
- Position detector
- Temperature sensor fluid
- Pressure taking
- Latching
- ATEX II 2 G Ex e mb IIC T4, T6 Gb II 2D Ex tb mb IIIC T130 °C, T80 °C Db IP 65, IP 67

Dimensions



Maintenance kit

- Equipped plunger
- Piston gasket
- O'ring
- Spring



Solenoid valve 2/2 2 ways pressure assisted with piston BSHP212

- **Media** : air – water – light oil
- **Pressure range** : 10 to 200 bar max
- **Media temperature** : 100° C max
- **Ambient temperature** : -10° to +50° C max
- **Media viscosity** : 40 centistokes max
- **Mounting** : vertical position
- **Weight (including coil)** : 800 g
- **Opening or closing time** : 20 ms max
- **Body material** : stainless steel 316L



BSHP212

Technical specifications

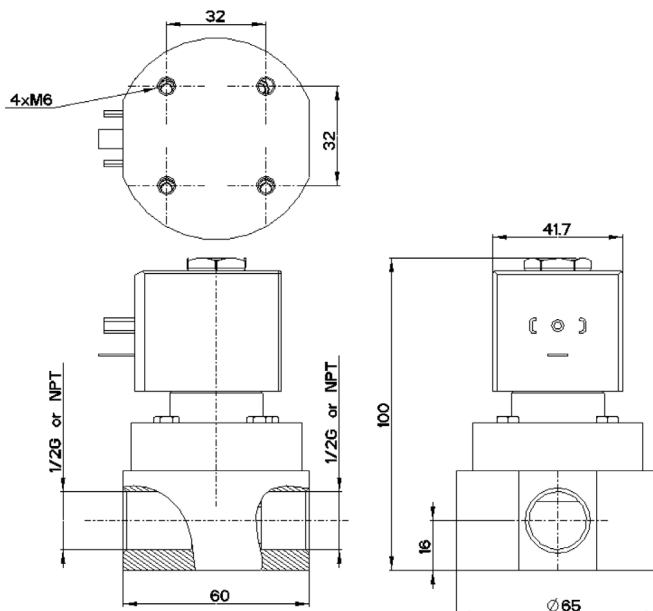
Ref	DN	Kv	Pressure	Media	Function	Gasket	O'ring	Port	
	(mm)	(L/min)	(bar)						
BSHP2121G	12	30	1-100	Gas		PTFE	NBR T°60C FKM T°100C EPDM T°100C Option PTFE T°180C	1/2G 1/2NPT	
BSHP2121L			1-100	Liquid					
BSHP2122G			1-200	Gas					VOLTALEF
BSHP2122L			1-200	Liquid					

Voltage		Power	Protection	Insulation Class	Type
Vdc	12 24	18 watts	IP 65 with connector included	Classe F 155°C	For pilot Ø15mm
	Ac				

Option

- Manual override
- Position detector
- Temperature sensor fluid
- Pressure taking
- Latching
- ATEX II 2 G Ex e mb IIC T4, T6 Gb II 2D Ex tb mb IIIC T130 °C, T80 °C Db IP 65, IP 67

Dimensions



Maintenance kit

- Equipped plunger
- Piston gasket
- O'ring
- Spring
- segment



Solenoid valve 2/2 2 ways pressure assisted with piston BSHP220

- Media : air – water – light oil
- Pressure range : 10 to 300 bar max
- Media temperature : 100° C max
- Ambient temperature : -10° to +50° C max
- Media viscosity : 40 centistokes max
- Mounting : vertical position
- Weight (including coil) : 3000 g
- Opening or closing time : 20 ms max
- Body material : stainless steel 316L

BSHP220



Technical specifications

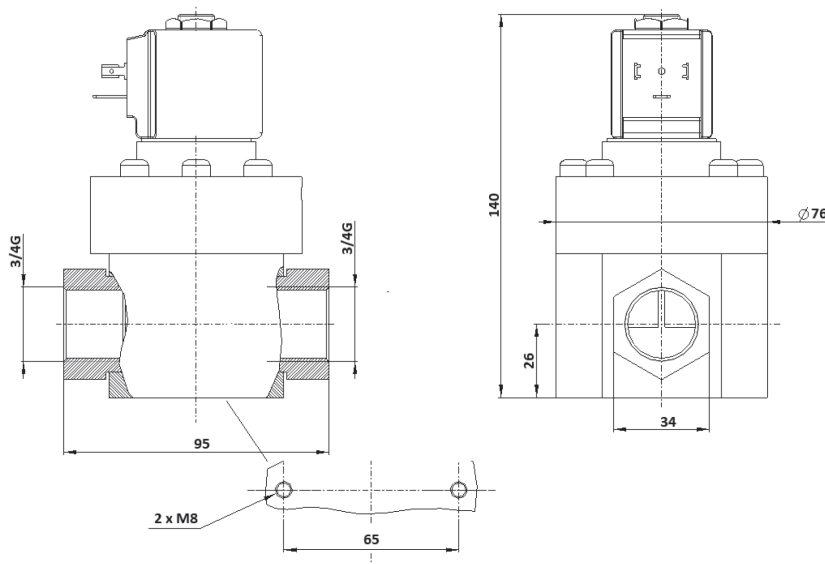
Ref	DN	Kv	Pressure	Media	Function	Gasket	O'ring	Port
	(mm)	(L/min)	(bar)					
BSHP2201G	20	93	1-100	Gas		PTFE	NBR T°60C FKM T°100C EPDM T°100C Option PTFE T°180C	3/4G 3/4NPT
BSHP2201L			1-100	Liquid				
BSHP2202G			1-200	Gas		VOLTALEF		
BSHP2202L			1-200	Liquid				
BSHP2203G			1-300	Gas				
BSHP2203L			1-300	Liquid				

Voltage		Power	Protection	Insulation Class	Type
Vdc	12 24	18 watts	IP 65 with connector included	Classe F 155°C	For pilot Ø15mm
	Ac				

Option

- Manual override
- Position detector
- Temperature sensor fluid
- Pressure taking
- Latching
- ATEX II 2 G Ex e mb IIC T4, T6 Gb II 2D Ex tb mb IIIC T130 ° C, T80 ° C Db IP 65, IP 67

Dimensions



Maintenance kit

- Equipped plunger
- Piston gasket
- O'ring
- Spring
- segment



Solenoid valve 2/2 2 ways pressure assisted with piston BSHP225

- Media : air – water – light oil
- Pressure range : 10 to 300 bar max
- Media temperature : 100° C max
- Ambient temperature : -10° to +50° C max
- Media viscosity : 40 centistokes max
- Mounting : vertical position
- Weight (including coil) : 4500 g
- Opening or closing time : 20 ms max
- Body material : stainless steel 316L

BSHP225



Technical specifications

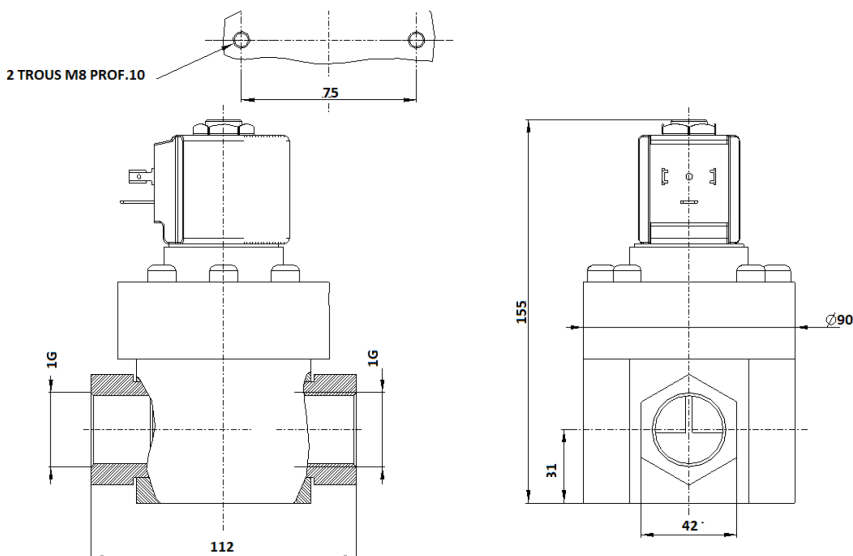
Ref	DN	Kv	Pressure	Media	Function	Gasket	O'ring	Port
	(mm)	(L/min)	(bar)					
BSHP2251G	25	160	1-100	Gas		PTFE	NBR T°60C FKM T°100C EPDM T°100C Option PTFE T°180C	1G 1NPT
BSHP2251L			1-100	Liquid				
BSHP2252G			1-200	Gas				
BSHP2252L			1-200	Liquid				
BSHP2253G			1-300	Gas				
BSHP2253L			1-300	Liquid				

Voltage		Power	Protection	Insulation Class	Type
Vdc	12 24	18 watts	IP 65 with connector included	Classe F 155°C	For pilot Ø15mm
	Ac				

Option

- Manual override
- Position detector
- Temperature sensor fluid
- Pressure taking
- Latching
- ATEX II 2 G Ex e mb IIC T4, T6 Gb II 2D Ex tb mb IIIC T130 ° C, T80 ° C Db IP 65, IP 67

Dimensions



Maintenance kit

- Equipped plunger
- Piston gasket
- O'ring
- Spring
- segment

